

# Ambu<sup>®</sup> aFlow

## Smoothbore Catheter Mounts

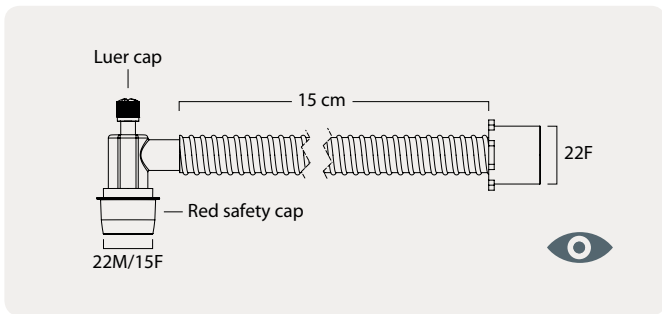


Ambu aFlow offers a wide range of catheter mounts covering several size and material specifications. Catheter Mounts are available in adults and pediatrics sizes and as smoothbore, and extendible in the following material; PVC and PP. Extendible catheter mounts provides a lightweight and flexible solution for clinicians to adjust the catheter position as they see fit. Ambu aFlow catheter mounts are suitable for connections between airway devices and breathing circuits and compatible with all types of breathing and ventilator circuits following relevant standards.

### Key Benefits

- Suitable for connection between invasive airway devices and breathing circuits
- Smoothbore products provide low resistance to flow while external coil reduces kinks and blockages. Moreover, they prevent fluid building up and thereby reducing risks of bacterial growth thanks to the smooth inner surface.
- The extendible PP products provide a lightweight and flexible solution and allows clinician to adjust the position of the catheter mount
- Some catheter mounts are equipped with 360 degree double swivel elbow connector heads which increase ease of use
- Double cap helps to maintain PEEP during suctioning or bronchoscopy.
- Luer lock port for gas sampling
- 15M or 22F adapters available

### Smoothbore Catheter Mounts

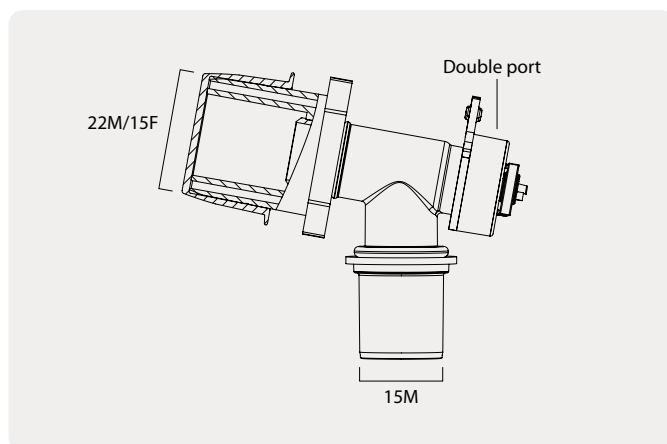


Ambu item no.	350300200	350300400	350301000	350301100	350301200
Size	Adult / Pediatric	Adult / Pediatric	Adult / Pediatric	Adult / Pediatric	Adult / Pediatric
Quantity/Box	50	50	50	50	50
Material	PVC	PVC	PVC	PVC	PVC
Tube length	15 cm	20 cm	15 cm	20 cm	20 cm
Tube I.D. size	15 mm	15 mm	15 mm	15 mm	15 mm
Elbow type	Double swivel	Double swivel	Fixed head with luer cap	Fixed head with luer cap	Fixed head with luer cap
Ports (mm)	Double port	Double port	-	-	-
Red safety cap	✓	✓	✓	✓	✓
Connection patient end	15F	15F	15F	15F	15F
Connection circuit end	15M	22F	15M	15M	15M
Compressible Volume ml	30 ml	30 ml	30 ml	30 ml	30 ml



## Catheter Mount Head

Ambu item no.	350300100
Size	Adult / Pediatric
Quantity/Box	100
Material	SBC
Tube length	3 cm
Elbow type	Double swivel
Ports (mm)	Double port
Red safety cap	✓
Compressible Volume ml	3 ml



Distributed by:  
**Ambu A/S**  
Baltorpbakken 13  
DK - 2750 Ballerup  
Denmark  
Tel. +45 7225 2000  
Fax +45 7225 2053  
www.ambu.com

Manufactured by:  
**Alterta Tibbi Malz.  
San. ve Tic. A.S.**  
Ibni Melek OSB Mh. Tosbi Yol 4 Sok. No:29  
35900 Tire Izmir  
TURKEY  
Tel: (+90 232) 513 51 10 (Pbx)  
www.altera.com.tr