

Ambu[®] aFlow

Pediatric and Neonatal Corrugated Anaesthesia Circuits

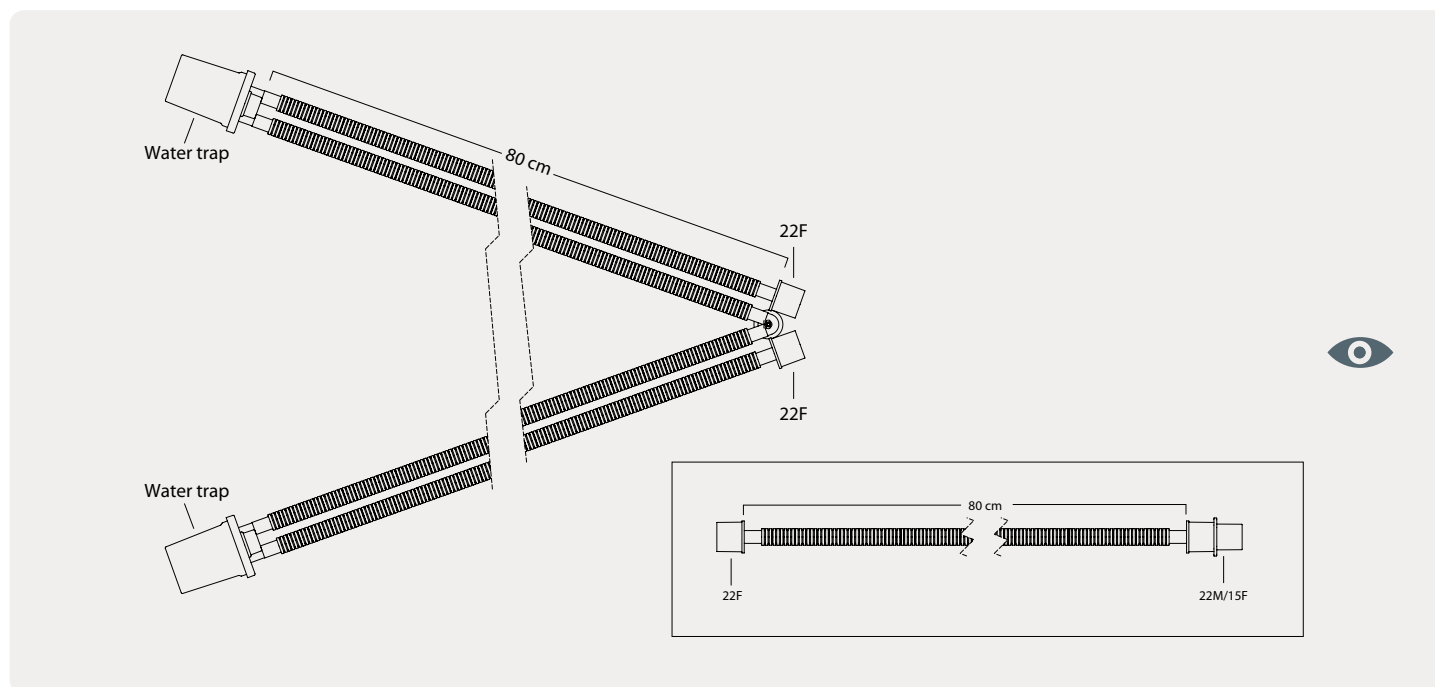


Pediatric and neonatal corrugated anaesthesia circuit are lightweight and effective circuits. They have directly bonded connectors to the tube which helps in avoiding leakage risks.

Key Benefits

- Directly bonded connectors reducing leakage risks
- Numerous variants of kits with and without watertraps to fit every need
- The soft, lightweight and flexible materials enhance a secure seal while still allowing easy connection and disconnection

Pediatric and Neonatal Corrugated Anaesthesia Circuits



| Ambu item no. | 350203700 | 350203800 | 350203900 | 350204000 | 350205600 | 350205700 | 350205800 |
|-----------------------------------|-------------|------------|-------------|-------------|---|---|---|
| Size | Pediatric | Pediatric | Pediatric | Pediatric | Neonatal | Neonatal | Neonatal |
| Quantity/Box | 25 | 25 | 25 | 15 | 25 | 25 | 20 |
| Material | PE | PE | PE | PE | PE | PE | PE |
| Tube length | 1.6 m | 1.6 m | 1.6 m | 2.4 m | 1.6 m | 1.6 m | 2.4 m |
| Tube I.D. | 15 mm | 15 mm | 15 mm | 15 mm | 10 mm | 10 mm | 10 mm |
| Elbow Connector with luer cap | ✓ | ✓ | ✓ | ✓ | ✓ | ✓ | 2 x 10M/22F Straight connector |
| Fixed Elbow Connector Head | ✓ | ✓ | ✓ | ✓ | ✓ | ✓ | ✓ |
| Y-Connector Specifications | W/out ports | Dual ports | W/out ports | W/out ports | Neonatal y-connector angled with CO ₂ port | Neonatal y-connector angled with CO ₂ port | Neonatal y-connector angled with CO ₂ port |
| Detachable y-connector | - | ✓ | - | - | - | - | - |
| Red safety cap | ✓ | ✓ | ✓ | ✓ | ✓ | ✓ | ✓ |
| Bacterial viral filter | - | - | - | - | 2 | - | - |
| Water trap | - | - | - | - | - | - | Double |
| Extention limb | - | 0.8 m | 1.2 m | 1.2 m | - | 1.2 m | 0.8 m |
| Breathing bag, Volume | - | - | 1 L | 1 L | - | 0.5 L | 1 L |
| CO ₂ Sampling line | - | - | - | - | - | - | - |
| Compliance @60 cmH ₂ O | 0.64 | 0.67 | 0.63 | 0.95 | 0.48 | 0.47 | 0.58 |
| Resistance to Flow @30 L/min | 0.018 | 0.016 | 0.017 | 0.024 | 0.027 | 0.02 | 0.145 |

Distributed by:
Ambu A/S
 Baltorpbakken 13
 DK - 2750 Ballerup
 Denmark
 Tel. +45 7225 2000
 Fax +45 7225 2053
 www.ambu.com

Manufactured by:
Alterta Tibbi Malz.
San. ve Tic. A.S.
 İbni Melek OSB Mh. Tosbi Yol 4 Sok. No:29
 35900 Tire Izmir
 TURKEY
 Tel: (+90 232) 513 51 10 (Pbx)
 www.altera.com.tr