

# Ambu<sup>®</sup> aFlow

## Bacterial Viral Filters

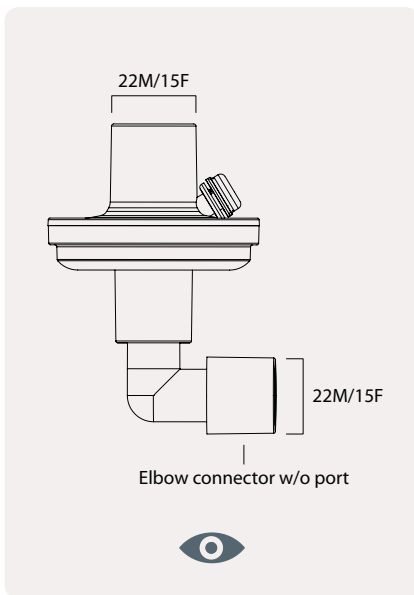


Ambu aFlow filters play a major role in reducing the risk of cross infections and protecting the patient's airway during anaesthesia and intensive care. Ambu aFlow offers a wide range of filters, in various configurations, with soft and luer caps.

### Key Benefits

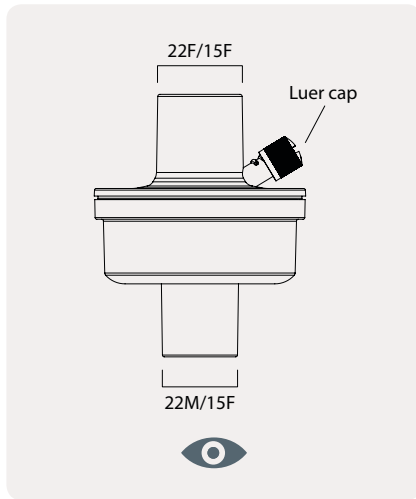
- Ideal electrostatic filtration performance
- Flat ergonomic design
- Small and light weight
- Cost effective
- Gas sampling port
- Optimised for paediatric and infant patients
- Effective solution on patient undergoing short term ventilation
- Not made with natural rubber latex

### Bacterial Viral Filters



Ambu Item No	350701400	350701500	350700800	350700100	350700700
Quantity / Box	50	50	45	50	50
Filter Type	Bacterial Viral	Bacterial Viral	Bacterial Viral	Bacterial Viral	Bacterial Viral
Housing Type	PP Semi Transparent	PP Semi Transparent	SBC Transparent	SBC Transparent	SBC Transparent
CO <sub>2</sub> Port Type	Soft Cap	Luer Cap	Soft Cap	Soft Cap	Soft Cap
Elbow connector w/out port			✓	-	-
Compressible Volume ml	33	33	36	77	33
Tidal Volume ml	150 - 1500	150 - 1500	150 - 1500	150 - 1500	150 - 1500
Resistance to Flow @30 L/min cmH <sub>2</sub> O	0.5	0.5	0.45	0.41	0.43
Resistance to Flow @60 L/min cmH <sub>2</sub> O	1.4	1.4	1.25	1.16	1.2
Resistance to Flow @90 L/min cmH <sub>2</sub> O	2.76	2.76	2.55	2.46	2.5
Bact Efficiency %	99.9999	99.9999	99.9999	99.9999	99.9999
Viral Efficiency %	99.999	99.999	99.999	99.999	99.999
Weight gr	21	21	24.5	23	19

## Bacterial Viral HME Filters



Ambu Item No	350700200	350700300	350700400	350700500	350700600
Quantity / Box	50	50	50	45	45
Filter Type	Bacterial Viral HME	Bacterial Viral HME	Bacterial Viral HME	Bacterial Viral HME	Bacterial Viral HME
Housing Type	SBC Transparent	SBC Transparent	SBC Transparent	SBC Transparent	SBC Transparent
HME Material	Foam	Paper	Paper	Paper	Paper
CO <sub>2</sub> Port Type	Soft Cap	Soft Cap	Luer Cap	Luer Cap	Soft Cap
Elbow connector w/out port	-	-	-	✓	✓
Compressible Volume ml	77	53	53	55	55
Tidal Volume ml	150 - 1500	150 - 1500	150 - 1500	150 - 1500	150 - 1500
Resistance to Flow @30 L/min cmH <sub>2</sub> O	0.84	0.94	0.94	0.95	0.95
Resistance to Flow @60 L/min cmH <sub>2</sub> O	1.99	2.32	2.32	2.35	2.35
Resistance to Flow @90 L/min cmH <sub>2</sub> O	3.82	4.2	4.2	4.25	4.25
Bact Efficiency %	99.9999	99.9999	99.9999	99.9999	99.9999
Viral Efficiency %	99.999	99.999	99.999	99.999	99.999
Moisture Output @500 ml mgH <sub>2</sub> O	38.6	36.8	36.8	36.8	36.8
Weight gr	24	30	30	36	36

Ambu Item No	350700900	350701000	350701100	350701200	350701300
Quantity / Box	50	45	45	40	40
Filter Type	Bacterial Viral HME	Bacterial Viral HME	Bacterial Viral HME	Bacterial Viral HME	Bacterial Viral HME
Housing Type	SBC Transparent	SBC Transparent	SBC Transparent	SBC Transparent	SBC Transparent
HME Material	Foam	Paper	Paper	Paper	Paper
CO <sub>2</sub> Port Type	Soft Cap	Soft Cap	Luer Cap	Soft Cap	Luer Cap
Elbow connector w/out port	-	-	-	✓	✓
Compressible Volume ml	53	55	55	57	57
Tidal Volume ml	150 - 1.500	150 - 1.500	150 - 1.500	150 - 1.500	150 - 1.500
Resistance to Flow @30 L/min cmH <sub>2</sub> O	0.6	0.82	0.82	0.85	0.85
Resistance to Flow @60 L/min cmH <sub>2</sub> O	1.65	2.14	2.14	2.15	2.15
Resistance to Flow @90 L/min cmH <sub>2</sub> O	3.2	3.95	3.95	4	4
Bact Efficiency %	99.9999	99.9999	99.9999	99.9999	99.9999
Viral Efficiency %	99.999	99.999	99.999	99.999	99.999
Moisture Output @500 ml mgH <sub>2</sub> O	37.5	37	37	37	37
Weight gr	24	35.6	35.6	41	41

Distributed by:  
**Ambu A/S**  
 Baltorpbakken 13  
 DK - 2750 Ballerup  
 Denmark  
 Tel. +45 7225 2000  
 Fax +45 7225 2053  
 www.ambu.com

Manufactured by:  
**Altera Tibbi Malz.**  
**San. ve Tic. A.S.**  
 İbni Melek OSB Mh. Tosbi Yol 4 Sok. No:29  
 35900 Tire İzmir  
 TURKEY  
 Tel: (+90 232) 513 51 10 (Pbx)  
 www.altera.com.tr