

Ambu[®] aFlow

Neonatal and Pediatric Bacterial Viral
and Bacterial Viral HME Filters

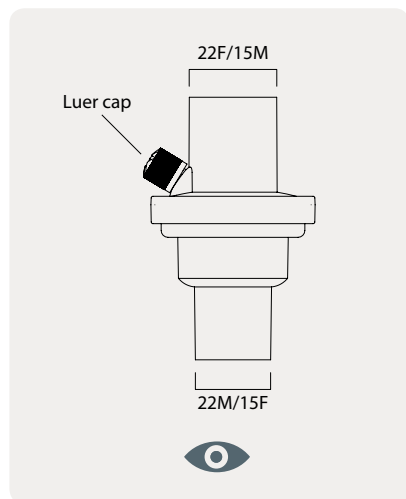


Ambu aFlow filters play a major role in reducing the risk of cross infections and protecting the patient's airway during anaesthesia and intensive care. Ambu aFlow offers a wide range of HME filters in neonatal and pediatric sizes. These are available in various configurations, with soft and luer caps.

Key Benefits

- Ideal electrostatic filtration performance
- Flat ergonomic design
- Small and light weight
- Cost effective
- Gas sampling port
- Effective solution on patient undergoing short term ventilation
- Not made with natural rubber latex

Neonatal and Pediatric Bacterial Viral and Bacterial Viral HME Filters



Ambu Item No	350701800	350701900	350702000	350702100
Quantity/Box	75	75	75	75
Filter Type	Bacterial Viral	Bacterial Viral	Bacterial Viral HME	Bacterial Viral HME
Housing Type	SBC Transparent	SBC Transparent	SBC	SBC Transparent
HME Material			Paper	Paper
CO ₂ Port Type	Soft Cap	Luer Cap	Soft Cap	Luer Cap
Compressible Volume ml	31	31	29	29
Tidal Volume ml	150 - 1.200	150 - 1.200	75 - 300	75 - 300
Resistance to Flow @30 L/min cmH ₂ O	0.8	0.8	1.4 @10 L/min	1.4 @10 L/min
Resistance to Flow @60 L/min cmH ₂ O	2.1	2.1	3 @15 L/min	3 @15 L/min
Resistance to Flow @90 L/min cmH ₂ O	3.6	3.6	4.7 @20 L/min	4.7 @20 L/min
Bact Efficiency %	99.9999	99.9999	99.9999	99.9999
Viral Efficiency %	99.999	99.999	99.999	99.999
Moisture Output @250 ml. tidal volume			31	31
Weight gr	19	19	21	21

Ambu Item No	350702200	350702300	350702400	350702500
Quantity/Box	70	70	75	75
Filter Type	Bacterial Viral HME	Bacterial Viral HME	Bacterial Viral HME	Bacterial Viral HME
Housing Type	SBC Transparent	SBC Transparent	SBC Transparent	SBC Transparent
HME Material	Paper	Paper	Paper	Paper
CO ₂ Port Type	Soft Cap	Luer Cap	Soft Cap	Luer Cap
Elbow connector w/out ports	✓	✓	-	-
Compressible Volume ml	32	32	29	10
Tidal Volume ml	75 - 300	75 - 300	30 - 100	30 - 100
Resistance to Flow @30 L/min cmH ₂ O	1.43 @10 L/min	1.43 @10 L/min	1.4 @10 L/min	0.6 @5 L/min
Resistance to Flow @60 L/min cmH ₂ O	3.2 @15 L/min	3.2 @15 L/min	3 @15 L/min	1 @7,5 L/min
Resistance to Flow @90 L/min cmH ₂ O	4.74 @20 L/min	4.74 @20 L/min	4.7 @20 L/min	1.4 @10 L/min
Bact Efficiency %	99.9999	99.9999	99.9999	99.9999
Viral Efficiency %	99.999	99.999	99.999	99.999
Moisture Output @250 ml. tidal volume	31	31	31	28 @50 ml tidal volume
Weight gr	24	24	21	9

Distributed by:
Ambu A/S
 Baltorpbakken 13
 DK - 2750 Ballerup
 Denmark
 Tel. +45 7225 2000
 Fax +45 7225 2053
 www.ambu.com

Manufactured by:
Altera Tibbi Malz.
San. ve Tic. A.S.
 İbni Melek OSB Mh. Tosbi Yol 4 Sok. No:29
 35900 Tire İzmir
 TURKEY
 Tel: (+90 232) 513 51 10 (Pbx)
 www.altera.com.tr

