

Ambu[®] aFlow

Adult Heated Wire

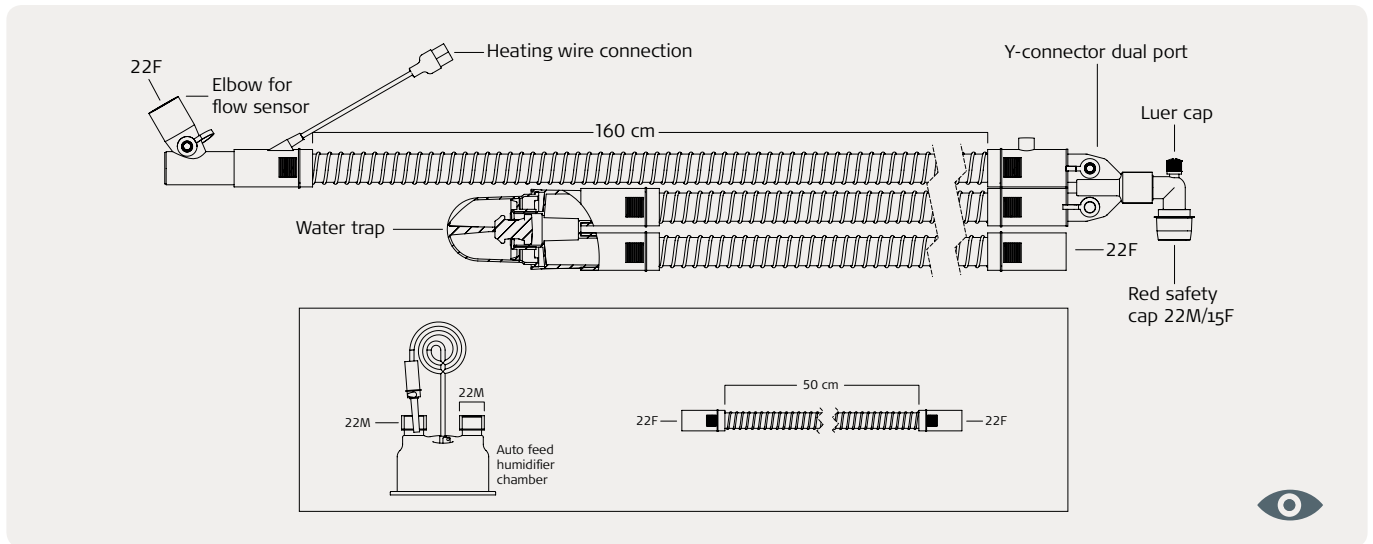


Heated wire circuits for use in the ICU. Uniform heating along the length of the tube ensures an effective measure in avoiding condensation. The design ensures that wires have no direct contact with the airflow.

Key Benefits

- Effective in avoiding condensation
- Low compliance and resistance due to smooth interior surface
- Uniform heating along the length of the tube

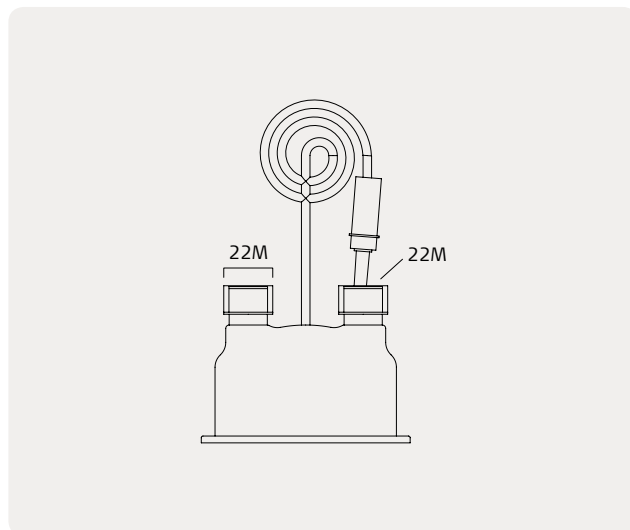
Adult Heated Wire



Ambu item no.	350207700	350208100
Size	Adult	Adult
Quantity/Box	10	10
Material	PE	PE
Tube length	1.6 m	1.6 m
Tube I.D.	19 mm	19 mm
Elbow Connector with luer cap	✓	✓
Fixed Elbow Connector Head	✓	✓
Autofeed chamber	✓	✓
Heated wire	Inspiratory limb w/heated wire	Inspiratory and expiratory limb w/heated wire
Y Connector Specifications	Dual port	Dual port
Red safety cap	✓	✓
Water trap	Single water trap	-
Connection tubing	60 cm connection tubing	60 cm connection tubing
Compliance @60 cmH ₂ O	1.03	0.88
Resistance to Flow @30 L/min	0.015	0.01

Autofeed chamber

Ambu item no.	350400100
Quantity/Box	50
Material	PC
Compliance @60 cmH ₂ O	5
Resistance to Flow @30 L/min	0.06



Distributed by:
Ambu A/S
Baltorpbakken 13
DK - 2750 Ballerup
Denmark
Tel. +45 7225 2000
Fax +45 7225 2053
www.ambu.com

Manufactured by:
Alterra Tibbi Malz.
San. ve Tic. A.S.
Ibni Melek OSB Mh. Tosbi Yol 4 Sok. No:29
35900 Tire Izmir
TURKEY
Tel: (+90 232) 513 51 10 (Pbx)
www.altera.com.tr