

Ambu® aFlow

Pediatric and Neonatal Heated Wire

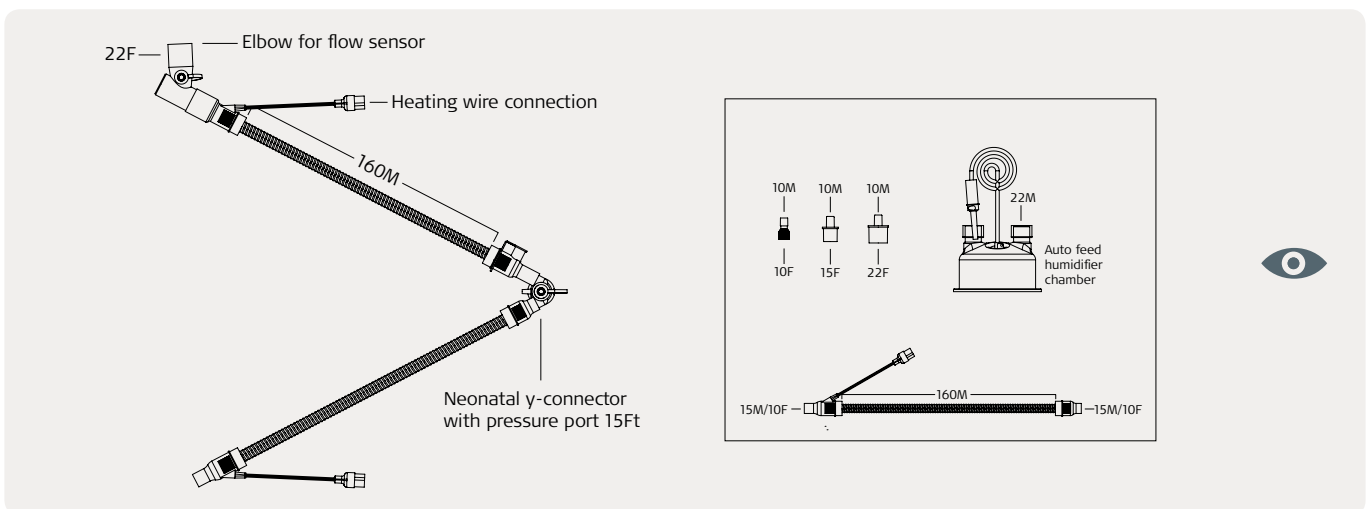


Heated wire circuits for use in the ICU. Uniform heating along the length of the tube ensures an effective measure in avoiding condensation. The design ensures that wires have no direct contact with the airflow.

Key Benefits

- Effective in avoiding condensation
- Low compliance and resistance due to smooth interior surface
- Uniform heating along the length of the tube

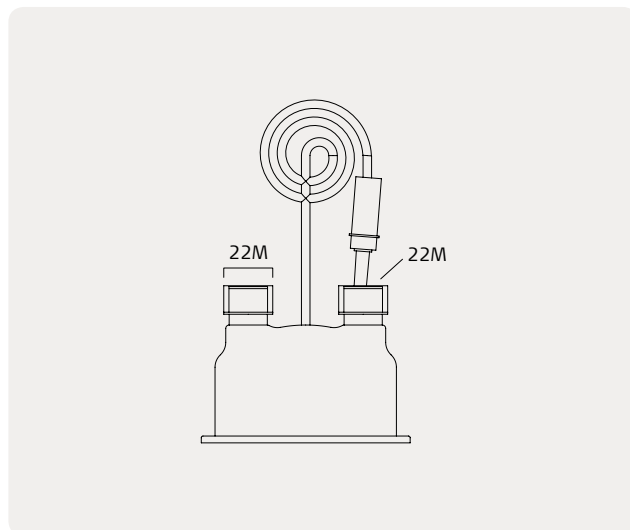
Pediatric and Neonatal Heated Wire



Ambu item no.	350207900	350208000	350208300	350208400	350207800	350208200
Size	Neonatal	Neonatal	Neonatal	Neonatal	Pediatric	Pediatric
Quantity/Box	10	10	10	10	10	10
Material	PE	PE	PE	PE	PE	PE
Tube length	1.6 m	1.6 m	1.6 m	1.6 m	1.6 m	1.6 m
Tube I.D.	10mm	10mm	10 mm	10 mm	10 mm	10 mm
Elbow Connector with luer cap	-	-	-	-	✓	✓
Autofeed chamber	✓	✓	✓ with 0.4 m incubator extension	✓ with 0.4 m incubator extension	✓	✓
Heated Wire	Single	Single	Double	Double	Single	Double
Neonatal Y connector with pressure port	✓	✓	✓	✓	Y-connector with dual port	✓
Red safety cap	✓	✓	✓	✓	✓	✓
Connector 10M/22F straight	2	2	2	2	-	-
Connector 10M/15F straight	2	2	2	2	-	-
Connector 10M-10F straight	1	1	-	1	-	-
Water trap	Single	Single	-	-	-	-
Tubing	-	-	Neonatal connection tube 50 cm	Expiratory tubing white 160 cm	Connection tubing 60 cm	Connection tubing 60 cm
Compliance @60 cmH ₂ O	0.42	0.71	0.35	0.43	0.66	0.61
Resistance to Flow @30 L/min	0.026	0.028	0.022	0.02	0.02	0.016

Autofeed chamber

Ambu item no.	350400100
Quantity/Box	50
Material	PC
Compliance @60 cmH ₂ O	5
Resistance to Flow @30 L/min	0.06



Distributed by:
Ambu A/S
Baltorpbakken 13
DK - 2750 Ballerup
Denmark
Tel. +45 7225 2000
Fax +45 7225 2053
www.ambu.com

Manufactured by:
Alterra Tibbi Malz.
San. ve Tic. A.S.
Ibni Melek OSB Mh. Tosbi Yol 4 Sok. No:29
35900 Tire Izmir
TURKEY
Tel: (+90 232) 513 51 10 (Pbx)
www.altera.com.tr