

Ambu[®] aFlow

Modified Jackson Rees Circuit and NO O₂ Circuit



Modified Jackson Rees Circuit

The semi-closed ventilation circuit, modified Jackson Rees is available in a pediatric size and represents a great solution for patient transport.

Key Benefits

- Linear and proportional APL Valve gives accurate adjustment and control in pediatric patients
- Universal connector ensures easy connection
- Breathing bag aids in sensing the patient's requirements
- 1.8 m anti-occlusion tubing maintains flow of gas
- Bleed bag tail valve for Jackson Rees Circuit

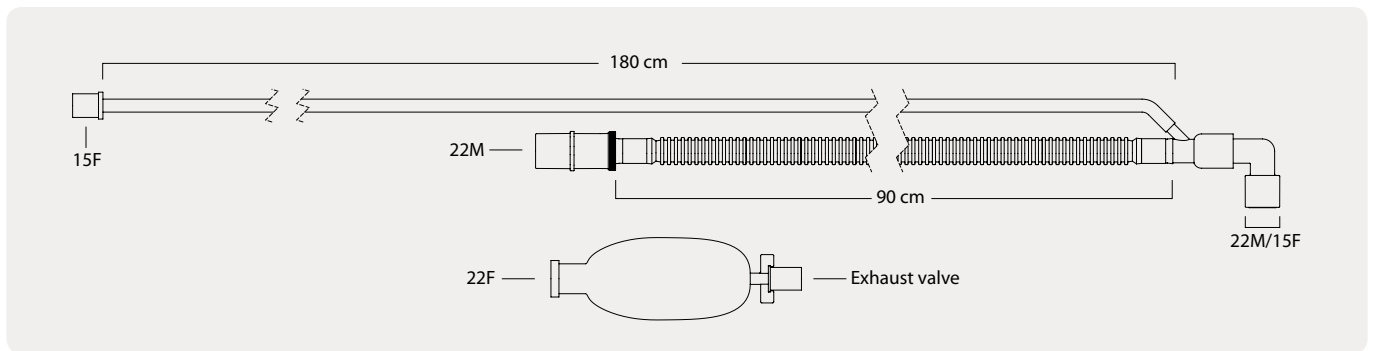
NO O₂ Circuit

The nitrous oxide and oxygen delivery circuit is commonly used for inhalation anaesthetics in dentistry as well as used in emergency centers and ambulatory surgery centers to provide minimal and moderate sedation.

Key Benefits

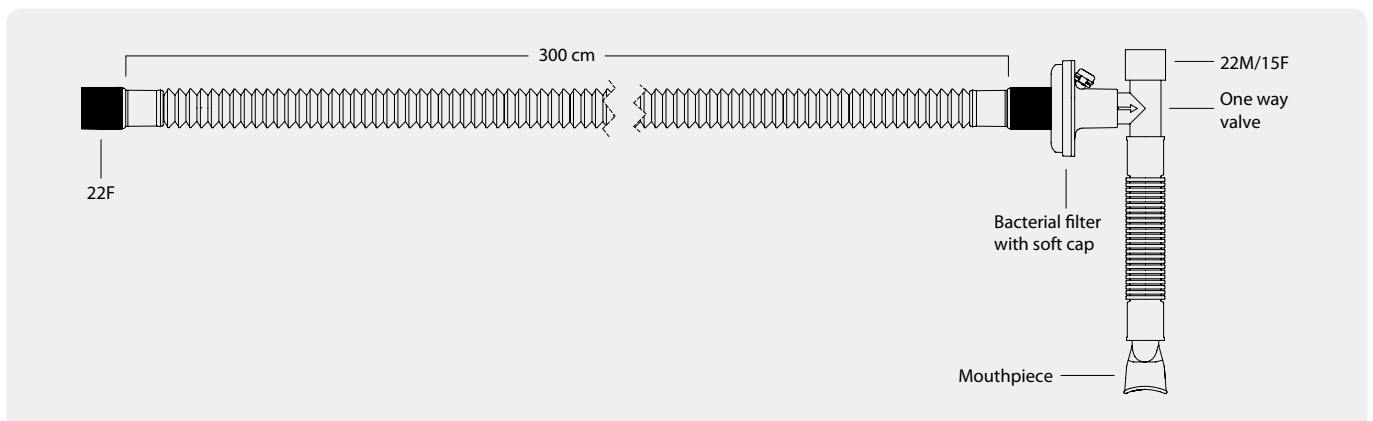
- The gas (equal parts of nitrous oxide and oxygen) is administered via a special circuit
- Face mask or mouthpiece can be used by patient when inhaling the gas

Modified Jackson Rees Circuit



Ambu item no.	350200100
Size	Pediatric
Quantity/Box	25
Material	Not made with natural rubber latex
Tube length	0.9 m
Tube I.D.	15 mm
Connection mechanism	15F connector
Breathing bag, Volume	0.5 L
Compliance @60 cm H ₂ O	0.25
Resistance to Flow @30 L/min	0.547

NO O₂ circuit 22 mm extendible



Ambu item no.	350203200
Size	Adult
Quantity/Box	30
Material	PP
Tube length	3 m
Tube I.D.	22 mm
Connection mechanism	✓
Breathing bag, Volume	✓

Distributed by:
Ambu A/S
 Baltorpbakken 13
 DK - 2750 Ballerup
 Denmark
 Tel. +45 7225 2000
 Fax +45 7225 2053
 www.ambu.com

Manufactured by:
Altera Tibbi Malz.
San. ve Tic. A.S.
 İbni Melek OSB Mh. Tosbi Yol 4 Sok. No:29
 35900 Tire İzmir
 TURKEY
 Tel: (+90 232) 513 51 10 (Pbx)
 www.altera.com.tr