

Ambu® aFlow

Pediatric Smoothbore Circuits

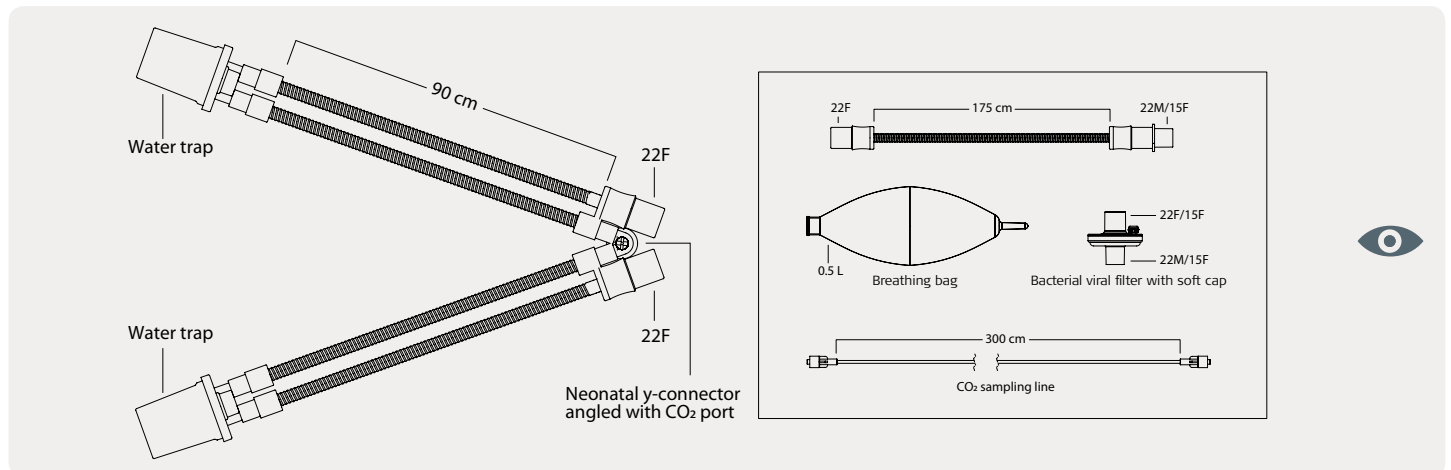


Smoothbore anaesthesia circuits have low compliance and transparent tubing which makes viewing the inside of the tube easier. The inner smooth surface allows for easy drainage of condensed water and contributes to reduce the risk of any interruptions during anaesthetic procedures.

Key Benefits

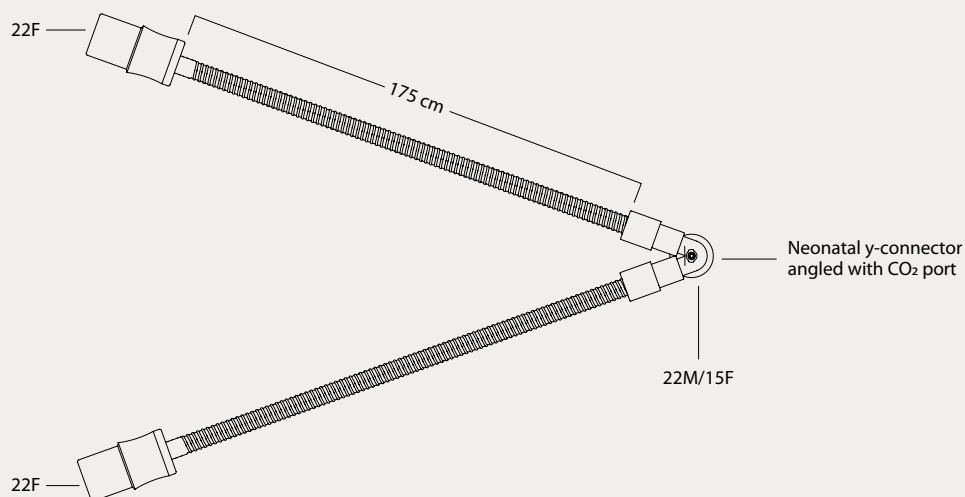
- Lower tube compliance
- Transparent tubing which makes viewing inside easier
- Smooth inner surface for easy drainage of condensed water
- Soft flexible connectors ensure a perfect seal with the anaesthesia machine inlet and outlet.

Pediatric Smoothbore Anaesthesia Circuits with water traps



| Ambu item no. | 350204700 | 350204800 | 350204900 | 350205000 | 350205100 | 350205200 | 350206300 | 350206400 |
|-----------------------------------|-----------|--|-----------|-----------|-----------|--|-----------|-----------|
| Size | Pediatric | Pediatric | Pediatric | Pediatric | Pediatric | Pediatric | Neonatal | Neonatal |
| Quantity/Box | 15 | 15 | 20 | 15 | 15 | 15 | 15 | 15 |
| Material | PVC | PVC | PVC | PVC | PVC | PVC | PVC | PVC |
| Tube length | 1.5 m | 1.5 m | 1.5 m | 1.5 m | 1.5 m | 1.5 m | 1.8 m | 1.8 m |
| Tube I.D. | 15 mm | 15 mm | 15 mm | 15 mm | 15 mm | 15 mm | 9 mm | 9 mm |
| Elbow Connector with luer cap | ✓ | ✓ | ✓ | ✓ | ✓ | ✓ | ✓ | ✓ |
| Fixed Elbow Connector Head | ✓ | ✓ | ✓ | ✓ | ✓ | ✓ | ✓ | ✓ |
| Y-connector with dual ports | - | - | ✓ | - | - | - | - | - |
| Detachable y-connector | - | - | ✓ | - | - | - | ✓ | ✓ |
| Red safety cap | ✓ | ✓ | ✓ | ✓ | ✓ | ✓ | ✓ | ✓ |
| Bacterial viral filter | HME | HME | - | ✓ | ✓ | HME | ✓ | ✓ |
| Water trap | Single | Single | Double | Double | Double | Double | Double | Double |
| Extention limb | 0.8 m | 0.8 m | 0.8 m | 1.2 m | 1.1 m | 0.8 m | 1.2 m | 1.2 m |
| Breathing bag, Volume | - | - | - | 1 L | 1 L | - | 0.5 L | 0.5 L |
| CO ₂ Sampling line | - | - | - | 3 m | 3 m, 2 | - | 3 m | 3 m, 2 |
| Catheter Mount | - | Double swivel 15 mm, PP and extendible | - | - | - | Double swivel 15 mm, PP and extendible | - | - |
| Compliance @60 cmH ₂ O | 0.64 | 0.62 | 0.68 | 0.95 | 0.68 | 0.69 | 0.41 | 0.42 |
| Resistance to Flow @30 L/min | 0.02 | 0.02 | 0.002 | 0.02 | 0.02 | 0.002 | 0.046 | 0.046 |

Pediatric Smoothbore Circuits



| Ambu item no. | 350204600 | 350204100 | 350204200 | 350204300 | 350204400 | 350204500 | 350205900 | 350206000 | 350206100 | 350206200 |
|-----------------------------------|----------------------------------|----------------------------------|--|----------------------------------|----------------------------------|----------------------------------|---|---|---|---|
| Size | Pediatric | Pediatric | Pediatric | Pediatric | Pediatric | Pediatric | Neonatal | Neonatal | Neonatal | Neonatal |
| Quantity/Box | 15 | 25 | 25 | 25 | 15 | 15 | 25 | 20 | 20 | 15 |
| Material | PVC | PVC | PVC | PVC | PVC | PVC | PVC | PVC | PVC | PVC |
| Tube length | 1.5 m | 1.5 m | 1.5 m | 2.4 m | 1.5 m | 1.5 m | 1.8 m | 1.8 m | 1.8 m | 1.8 m |
| Tube I.D. | 15 mm | 15 mm | 15 mm | 15 mm | 15 mm | 15 mm | 9 mm | 9 mm | 9 mm | 9 mm |
| Elbow Connector with luer cap | ✓ | - | ✓ | ✓ | ✓ | ✓ | - | - | ✓ | ✓ |
| Fixed Elbow Connector Head | ✓ | - | ✓ | ✓ | ✓ | ✓ | ✓ | ✓ | ✓ | ✓ |
| 22-22MM Straight Connector | - | ✓ | - | - | - | - | ✓ | ✓ | - | - |
| Y-connector Specifications | Pediatric y-connector w/out port | Pediatric y-connector w/out port | Dual port y-connector with port and caps | Pediatric y-connector w/out port | Pediatric y-connector w/out port | Pediatric y-connector w/out port | Neonatal y-connector angled with CO ₂ port | Neonatal y-connector angled with CO ₂ port | Neonatal y-connector angled with CO ₂ port | Neonatal y-connector angled with CO ₂ port |
| Detachable y-connector | - | - | ✓ | - | - | - | ✓ | ✓ | ✓ | ✓ |
| Red safety cap | ✓ | ✓ | ✓ | ✓ | ✓ | ✓ | ✓ | ✓ | ✓ | ✓ |
| Bacterial viral filter | ✓ | - | - | - | - | - | - | - | - | ✓ |
| Extention limb | 0.8 m | - | - | - | 0.8 m | 1.2 mm | - | 1.8 m | 1.2 m | 1.2 m |
| Breathing bag, Volume | 1 L | - | - | - | - | 1 L | - | - | 0.5 L | 0.5 L |
| Compliance @60 cmH ₂ O | 0.53 | 0.52 | 0.54 | 0.88 | 0.57 | 0.52 | 0.35 | 0.37 | 0.34 | 0.35 |
| Resistance to Flow @30 L/min | 0.02 | 0.01 | 0.01 | 0.02 | 0.02 | 0.02 | 0.028 | 0.028 | 0.036 | 0.028 |

Distributed by:
Ambu A/S
 Baltorpbakken 13
 DK - 2750 Ballerup
 Denmark
 Tel. +45 7225 2000
 Fax +45 7225 2053
 www.ambu.com

Manufactured by:
Alterta Tibbi Malz.
San. ve Tic. A.S.
 İbni Melek OSB Mh. Tosbi Yol 4 Sok. No:29
 35900 Tire Izmir
 TURKEY
 Tel: (+90 232) 513 51 10 (Pbx)
 www.altera.com.tr